



YOLight™ Ultra Bright Green LED Lamp YM-GZ5S15Y series

Y	M	-	G	Z	5	S	15	Y
Yolight	Product Code		Color	I _v Ranks	Size	Shape	Angle 2θ ½	Stand-Off
			Green	Z Range	5 mm	Sharp	15°	Yes

FEATURES

- Highly Luminous Ultra Bright
- InGaN / Sapphire Technology Chip
- Super Luminous Intensity 17000 mcd
- High Luminous Flux
- Water Clear UV Resistance Epoxy Package
- Extremely Uniform Green Light
- I_v Ranks, Luminous Intensity Bin Limits T / V / W / Y / Z
- Shape Options with Normal or Sharp
- Viewing Angles 2θ ½ = 15° / 30°
- Stand-Off Options

APPLICATIONS

- Cavity Lights/ Effect Lights
- Legend Back Lights
- Torch / Miniature Flash Lights
- Garden Lights
- Optical Indicator Lights
- Display / Decoration Lights
- Channel Letter Lights
- Lantern Lights
- Solar Energy Lights
- Traffic Lights and Outdoor Signals
- Automotive Interior Lights
- Electronic Displays

BENEFITS

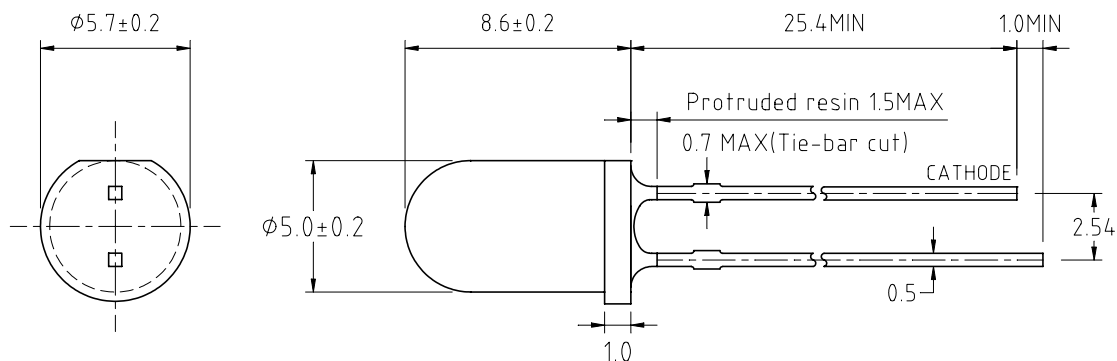
- Low Energy Consumptions
- Low Maintenance Costs
- High Application Design Flexibility
- High Reliability
- Prompt Shipment
- Very Competitive prices

Delivery

- Bulk, 500 pieces per bag standard
- Ammo or Reel available upon request

CAUTION: YM-GZ5S15Y series LEDs are **Class 1 ESD** sensitive. Static Electricity and surge damage the LEDs. It is recommended to use a wristband or anti-electrostatic glove when handling LEDs. All devices, equipment and machinery must be properly grounded.

Package Dimensions



Notes:

1. All dimensions are in millimeters (inches).
2. Tolerance ± 0.25 (0.01") mm unless otherwise noted.
3. Protruded resin under flange is 1.0mm (0.04") max.
4. Lead spacing is measured where the leads emerge from the package
5. Specifications are subject to change without notice.



YOLight™ Ultra Bright Green LED Lamp YM-GZ5S15Yseries

Y	M	-	G	Z	5	S	15	Y
Yolight	Product Code		Color	I _v Ranks	Size	Shape	Angle 2θ ½	Stand-Off
			Green	Z Range	5 mm	Sharp	15°	Yes

Absolute Maximum Ratings at Ta = 25°C

Forward Voltage	V _f	3.4 ± 0.3 V
Continuous Forward Current	I _f	30 mA
Power Dissipation	P _d	120 mW
Peak Forward Current	I _{fp}	150 mA **
Derating Factor		0.40 mA/ °C
Reverse Voltage	V _r	5 V
Operating Temperature	T _{op}	-25 ~ +85°C
Storage Temperature	T _{stg}	-35 ~ +100°C
Soldering Temperature	T _{sd}	260°C / 5 Sec

** Remarks: Duty Ratio = 1/16, Pulse Width = 0.1ms

Iv Ranks / Luminous Intensity Bin Limits

Bin Name	Min	Max
S	1900	2500
T	2500	3200
U	3200	4200
V	4200	5500
W	5500	7200
X	7200	9300
Y	9300	12000
Z	12000	17000

Notes:

- I_v Ranks Tolerance of each minimum and maximum is ± 15%
- Size:
5: 5mm / 3: 3mm Lens Size
- Shape:
N: Normal / S: Sharp Shape
- Angle 2θ ½:
15: 15°± 3° / 30: 30°± 3° / Other angles available upon special request
- Stand Off:
N: No Stand-Off / Y: With Stand-Off

Electrical / Optical Characteristics at Ta = 25°C

Parameter	Symbol	Min	Typ	Max	Unit	Test Condition
Forward Voltage	V _f		3.4	4.0	V	I _f = 20 mA
Spectrum Radiation Bandwidth	Δλ		20		nm	I _f = 20 mA
Dominant Wavelength	λ _p		525		nm	I _f = 20 mA
Reverse Current	I _r			100	μA	V _R = 5V

Grade	I _v Ranks	Viewing Angle	Lens Shape	Luminous Intensity I _v (mcd)		
				Min	Typ	Max
YM-GZ5S15Y	Z	15°	Sharp	12000	14000	17000
YM-GW5N30Y	W	30°	Normal	5200	6200	7400
YM-GY5S15Y	Y	15°	Sharp	8400	10000	12000
YM-GV5N30Y	V	30°	Normal	3700	4400	5200
YM-GW5S15Y	W	15°	Sharp	6000	7000	8400
YM-GT5N30Y	T	30°	Normal	2600	3100	3700

Note: All data showing in this product specification are measured by proper experiment conditions and instruments. However, those data may be different due to variations of testing instruments and conditions.