



YOLight™ Ultra Bright Red LED Lamp YZ-RV5N30Nseries

Y	Z	-	R	V	5	N	30	N
Yolight	Product Code		Color	I _v Ranks	Size	Shape	Angle 2θ ½	Stand-Off
			Red	V Range	5 mm	Normal	30°	No

FEATURES

- Highly Luminous Ultra Bright Red
- AllnGaP / GaAs Technology Chip
- Super Luminous Intensity 7000 mcd
- Iv Ranks, Luminous Intensity Bin Limits T / U / V / W
- High Luminous Flux
- Dominate Wavelength 625 nm
- Water Clear UV Resistance Epoxy Package
- Extremely Uniform Red Light
- Lens Size 5mm with 3mm option
- Shape Options with Normal or Sharp
- Viewing Angles 2θ ½ = 30° , with 8° / 15° / 23° options
- Stand-Off Options

BENEFITS

- Low Energy Consumptions
- Low Maintenance Costs
- High Application Design Flexibility
- High Reliability
- Prompt Shipment
- Very Competitive prices

APPLICATIONS

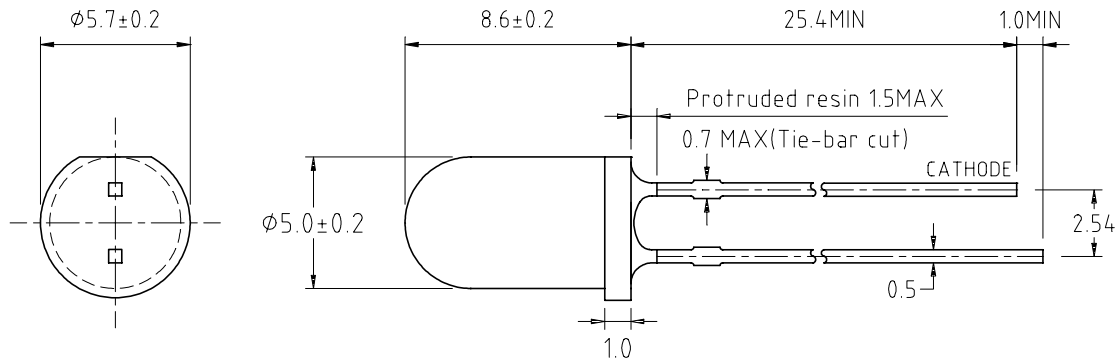
- Traffic Signals and Outdoor Signals
- Cavity Lights/ Effect Lights
- Legend Back Lights
- Automotive Lights
- Electronic Displays / Moving Signs
- Garden Lights
- Torch / Miniature Flash Lights
- Optical Indicator Lights
- Display / Decoration Lights
- Channel Letter Lights
- Lantern Lights
- Solar Energy Lights



YOLight™ Ultra Bright Red LED Lamp YZ-RV5N30Nseries

Y	Z	-	R	V	5	N	30	N
Yolight	Product Code		Color	I _v Ranks	Size	Shape	Angle 2θ ½	Stand-Off
			Red	V Range	5 mm	Normal	30°	No

Package Dimensions



Notes:

1. All dimensions are in millimeters (inches).
2. Tolerance ± 0.25 (0.01") mm unless otherwise noted.
3. Protruded resin under flange is 1.0mm (0.04") max.
4. Lead spacing is measured where the leads emerge from the package
5. Specifications are subject to change without notice.

Delivery

- Bulk, 500 pieces per bag standard
- Ammo or Reel available upon request

Absolute Maximum Ratings at Ta = 25°C

Forward Voltage	V _f	2.3 ± 0.3 V
Continuous Forward Current	I _f	50 mA
Power Dissipation	P _d	130 mW
Peak Forward Current	I _{fp}	150 mA
Derating Factor		0.40 mA/ °C
Reverse Voltage	V _r	5 V
Operating Temperature	T _{op}	-25 ~ +85°C
Storage Temperature	T _{stg}	-35 ~ +100°C
Soldering Temperature	T _{sd}	260°C / 5 Sec

Remarks: Duty Ratio = 1/16, Pulse Width = 0.1ms



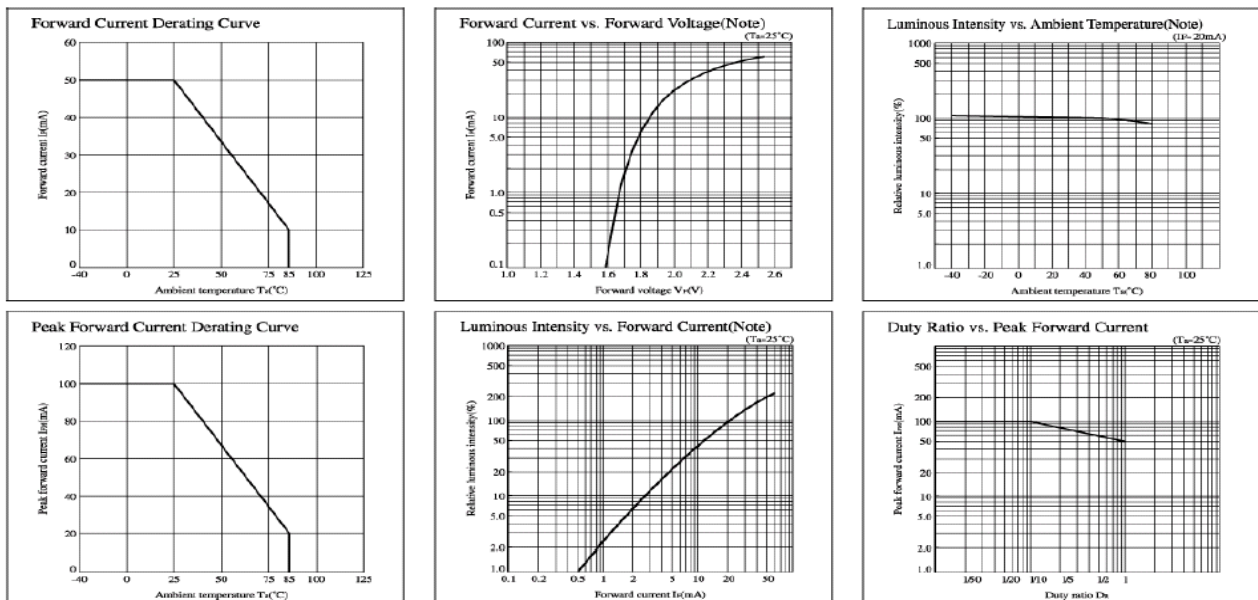
YOLight™ Ultra Bright Red LED Lamp YZ-RV5N30Nseries

Y	Z	-	R	V	5	N	30	N
Yolight	Product Code		Color	I _v Ranks	Size	Shape	Angle 2θ ½	Stand-Off
			Red	V Range	5 mm	Normal	30°	No

Electrical / Optical Characteristics at Ta = 25°C

Parameter	Symbol	Min	Typ	Max	Unit	Test Condition
Forward Voltage	V _f	1.9	2.3	2.6	V	I _f = 20 mA
Dominant Wavelength	λ _d		625		nm	I _f = 20 mA
Luminous Intensity	I _v	2500	4900	7200	mcd	I _f = 20 mA
Spectrum Radiation Bandwidth	Δλ		20		nm	I _f = 20 mA
Reverse Current	I _r			10	mA	V _R = 5V

Electrical / Optical Characteristics Diagram at Ta = 25°C



Iv Ranks / Luminous Intensity Bin Limits

Bin Name	Min	Max
T	2500	3200
U	3200	4200
V	4200	5500
W	5500	7200

Notes:

- YZ-YU5N30N series can supply the above listed T/U/V/W I_v ranks with standard V ranks.
- I_v Ranks Tolerance of each minimum and maximum is ± 15%
- Size: 5: 5mm / 3: 3mm Lens Size
- Shape: N: Normal / S: Sharp Shape
- Angle 2θ ½: 30: 30° ± 3°; options include 8: 8° ± 3° / 15: 15° ± 3° / 23: 23° ± 3° /
- Stand Off: N: No Stand-Off / Y: With Stand-Off

Note: All data showing in this product specification are measured by proper experiment conditions and instruments. However, those data may be different due to variations of testing instruments and conditions.