



YOLight™ Ultra Bright Yellow LED Lamp YZ-YU5N30Y series

Y	Z	-	Y	U	5	N	30	Y
Yolight	Product Code		Color	I _v Ranks	Size	Shape	Angle 2θ ½	Stand-Off
			Yellow	U Range	5 mm	Normal	30°	Yes

FEATURES

- Highly Luminous Ultra Bright Yellow
- AllnGaP / GaAs Technology Chip
- Super Luminous Intensity 5500 mcd
- I_v Ranks, Luminous Intensity Bin Limits S / T / U / V
- High Luminous Flux
- Dominate Wavelength 590 nm
- Water Clear UV Resistance Epoxy Package
- Extremely Uniform Yellow Light
- Lens Size 5mm with 3mm option
- Shape Options with Normal or Sharp
- Viewing Angles 2θ ½ = 30° , with 8° / 15° / 23° options
- Stand-Off Options

BENEFITS

- Low Energy Consumptions
- Low Maintenance Costs
- High Application Design Flexibility
- High Reliability
- Prompt Shipment
- Very Competitive prices

APPLICATIONS

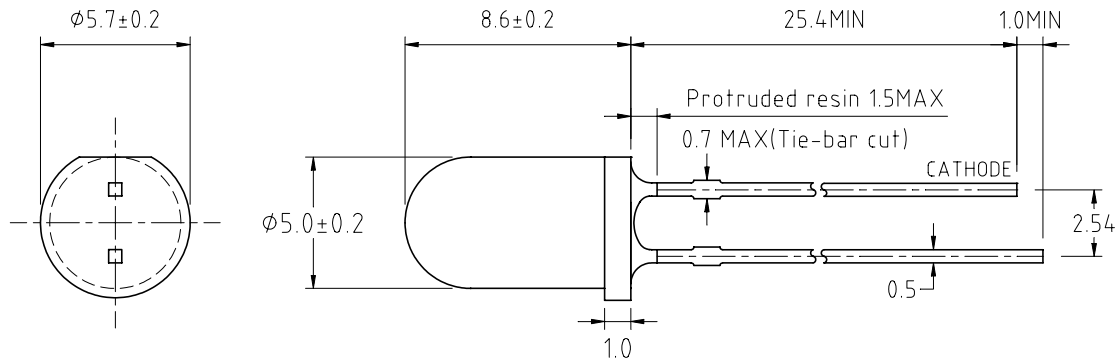
- Traffic Signals and Outdoor Signals
- Cavity Lights/ Effect Lights
- Legend Back Lights
- Automotive Lights
- Electronic Displays / Moving Signs
- Garden Lights
- Torch / Miniature Flash Lights
- Optical Indicator Lights
- Display / Decoration Lights
- Channel Letter Lights
- Lantern Lights
- Solar Energy Lights



YOLight™ Ultra Bright Yellow LED Lamp YZ-YU5N30Y series

Y	Z	-	Y	U	5	N	30	Y
Yolight	Product Code		Color	I _v Ranks	Size	Shape	Angle 2θ ½	Stand-Off
			Yellow	U Range	5 mm	Normal	30°	Yes

Package Dimensions



Notes:

1. All dimensions are in millimeters (inches).
2. Tolerance ± 0.25 (0.01") mm unless otherwise noted.
3. Protruded resin under flange is 1.0mm (0.04") max.
4. Lead spacing is measured where the leads emerge from the package
5. Specifications are subject to change without notice.

Delivery

- Bulk, 500 pieces per bag standard
- Ammo or Reel available upon request

Absolute Maximum Ratings at Ta = 25°C

Forward Voltage	V _f	2.3 ± 0.3 V
Continuous Forward Current	I _f	50 mA
Power Dissipation	P _d	130 mW
Peak Forward Current	I _{fp}	150 mA
Derating Factor		0.40 mA/ °C
Reverse Voltage	V _r	5 V
Operating Temperature	T _{op}	-25 ~ +85°C
Storage Temperature	T _{stg}	-35 ~ +100°C
Soldering Temperature	T _{sd}	260°C / 5 Sec

Remarks: Duty Ratio = 1/16, Pulse Width = 0.1ms



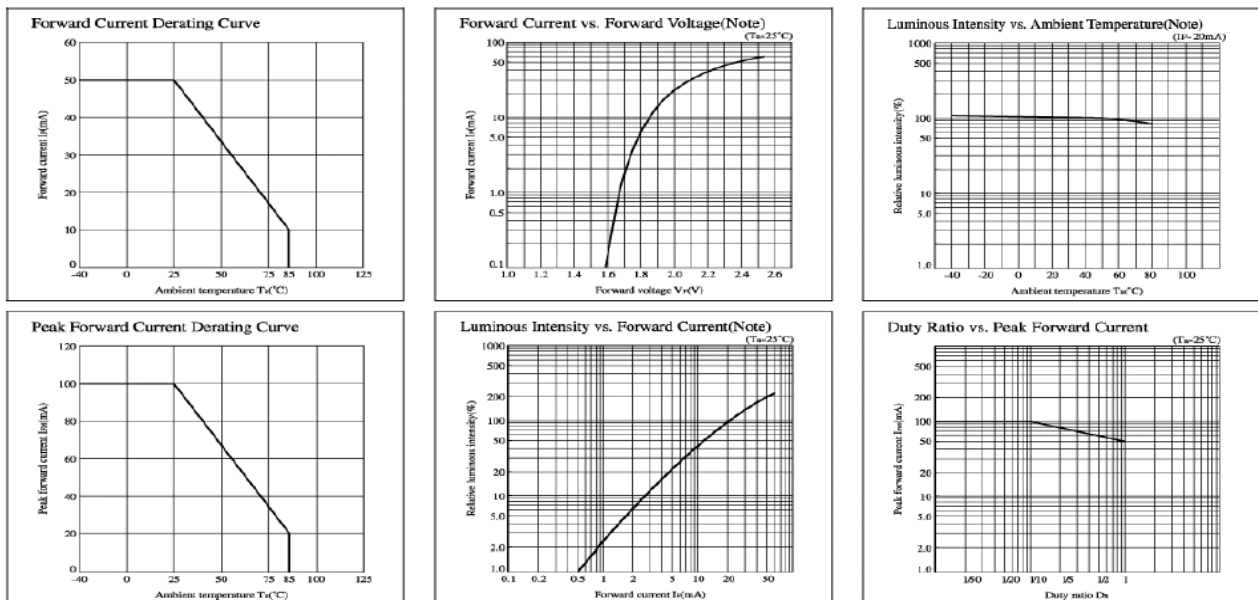
YOLight™ Ultra Bright Yellow LED Lamp YZ-YU5N30Y series

Y	Z	-	Y	U	5	N	30	Y
Yolight	Product Code		Color	I _v Ranks	Size	Shape	Angle 2θ ½	Stand-Off
			Yellow	U Range	5 mm	Normal	30°	Yes

Electrical / Optical Characteristics at Ta = 25°C

Parameter	Symbol	Min	Typ	Max	Unit	Test Condition
Forward Voltage	V _f	2.0	2.3	2.6	V	I _f = 20 mA
Dominant Wavelength	λ _d		590		nm	I _f = 20 mA
Luminous Intensity	I _v	1900	4000	5500	mcd	I _f = 20 mA
Spectrum Radiation Bandwidth	Δλ		20		nm	I _f = 20 mA
Reverse Current	I _r			10	mA	V _R = 5V

Electrical / Optical Characteristics Diagram at Ta = 25°C



Iv Ranks / Luminous Intensity Bin Limits

Bin Name	Min	Max
S	1900	2500
T	2500	3200
U	3200	4200
V	4200	5500

Emission Wavelength λ / Color Rank

Rank	Min	Max
1	584.5	587
2	587	589.5
3	589.5	592
4	592	594.5

Notes:

- YZ-YU5N30N series can supply the above listed S/T/U/V I_v ranks with standard U ranks.
- YZ-YU5N30N series can supply the above listed 1/2/3/4 color ranks with standard 2/3 ranks.
- I_v Ranks Tolerance of each minimum and maximum is ± 15%
- Size: 5: 5mm / 3: 3mm Lens Size
- Shape: N: Normal / S: Sharp Shape
- Angle 2θ ½: 30: 30°± 3°; options include 8: 8°± 3° / 15: 15°± 3° / 23: 23°± 3° /
- Stand Off: N: No Stand-Off / Y: With Stand-Off

Note: All data showing in this product specification are measured by proper experiment conditions and instruments. However, those data may be different due to variations of testing instruments and conditions.